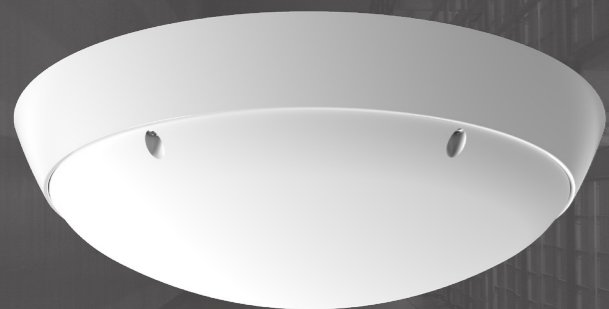


ULTRA U400

Anti-ligature Light



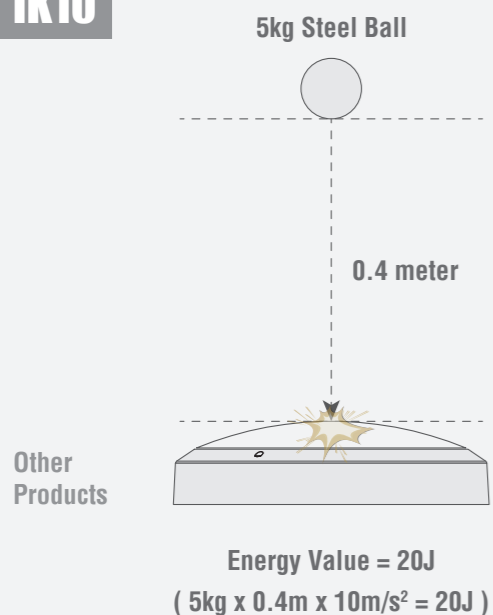
White Black



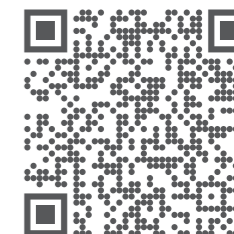
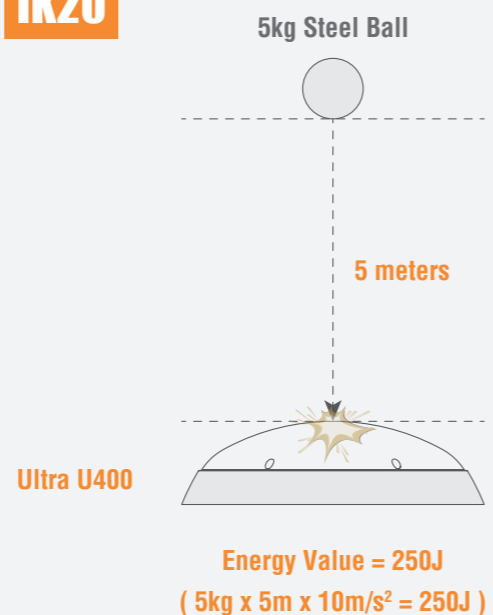
Ultra is a robust anti-ligature light, ideally suited to environments where consideration of the actions of individual need priority such as hospitals, prisons, mental health care centers.

- 1 • Anti-ligature design. Smooth ployster-powder-coat surface and round-body design eliminate any ligature point.
- 2 • IK20, strong impact resistance • Concealed tamper proof screw can protect the whole fixture from removal by force
- 3 • The ployster powder coat on surface also performs great antibacterial ability.

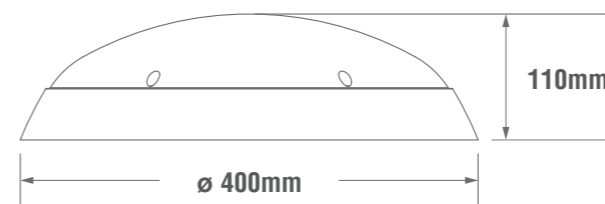
IK10



IK20



Dimension

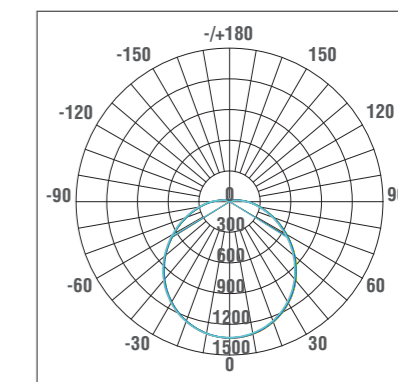


Lumen Output

Model	Power	3000K	4000K	5000K
		129 lm/W	132 lm/W	135 lm/W
U400	36W	4444 lm	4541 lm	4638 lm

• Lumen may fluctuate between ± 10%. Customized higher lumen output available.

Photometrics



C0/180: — C30/210: — C60/240: — C90/270: —

Specification

Input Voltage	220-240VAC
CRI	>80
Power Factor	>0.9
SDCM	3
Beam Angle	120°
Operation Temp.	-20°C ~ +40°C
IP Rating	IP66
IK Rating	IK20

Fitting Material	Cast Aluminum
Electrical Class	I
Lifespan	L70B50: 176,000h L80B10: 95,000h
Standard	EN60598-2-1 / EN55015 / EN62778 / EN60598-2-22
Emergency Lumen	200 ~ 400 lm
Battery	3h Duration

Order Code

• Subject to change without notice. Please scan the QR code for complete code list.

Code	Model	Power	On/Off	Microwave	PIR	BT	EME	DAL	RFD	RFM	CCT	Efficiency	Dimension (mm)
ULT001	U400	36W	●								40K	130 lm/W	∅ 400*110
ULT002	U400	36W		●							40K	130 lm/W	∅ 400*110
ULT003	U400	36W						●			30/40K	130 lm/W	∅ 400*110
ULT004	U400	M36W					●				30~60K	121 lm/W	∅ 400*110